

Z508 9" EXTRA-HEAVY-DUTY DRAIN



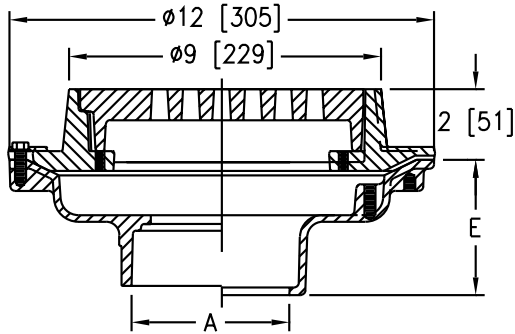
ENGINEERING SPECIFICATION

Zurn Z508 9" diameter top drain features Dura-Coated cast iron body with bottom outlet, seepage pan, and combination membrane flashing clamp and frame for extra heavy-duty, cast iron, deep flange, slotted grate.

NOTES

†Add 3/16" to 2" dimension and 3/4" to 9" dimension for ZB and ZN

A Pipe Size inch [mm]	Grate Open Area sq in [cm ²]	Approximate Weight lb [kg]
2 [51], 3 [76], 4 [102]	18 [116]	21 [10]
6 [152]		25 [11]



PREFIXES	DESCRIPTION	PIPE SIZE	LIST PRICE
Z508*	D.C.C.I. Body and Top	2", 3", 4"	668.00
		6"	798.00
ZB508	D.C.C.I. Body Assembly with Polished Bronze Top	2", 3", 4"	1,117.00
		6"	1,254.00
ZN508	D.C.C.I. Body Assembly with Polished Nickel Bronze Top	2", 3", 4"	1,215.00
		6"	1,355.00

OUTLETS (SPECIFY PIPE SIZE IN INCHES AND TYPE OF OUTLET)

OUTLET TYPE		PIPE SIZE/ OUTLET TYPE	E BODY HT. DIM.	ADD
IC	Inside Caulk	4IC	3-3/4"	N/C
IG	Inside Gasket	4IG	3-3/4"	N/C
IP	Threaded	4IP	2-3/4"	80.00
NH	No-Hub	2NH, 3NH, 4NH	4-3/4"	N/C
		6NH	5-1/4"	N/C
NL	Neo-Loc	2NL, 3NL, 4NL	3-9/16"	N/C

SUFFIXES

		ADD
-AR	Acid Resisting Epoxy Coated Cast Iron	501.00
-DG	Duresist Grate	194.00
-G	Galvanized Cast Iron	393.00
-HP	Heel-Proof Grate	N/C
-P	Trap Primer Connection	165.00
-S	Secondary Strainer	47.00
-SC	Solid Cover with Lift Handle	483.00
-SG	Solid Gasketed Cover with Handle	580.00
⌚ -TC	Neo-Loc Test Cap Gasket (2", 3", 4" NL Bottom Outlet Only)	24.00
-TS	Top Secured with Slotted Screws	129.00
-TSP	Trap Seal Protection Device (Size Matches Drain Outlet Selected, See Z1072)	POA
-VP	Vandal-Proof Secured Top	149.00
-Y	Sediment Bucket	140.00
-90	90° Threaded Side Outlet Body Assembly (2", 3", 4")	339.00

BEST SELLERS

	LIST PRICE
Z508-2NH-P	833.00
Z508-3NH	668.00
Z508-3NH-HP	668.00
Z508-3NH-Y	808.00
ZN508-3NH-Y	1,355.00
Z508-3NL	668.00
Z508-3NL-Y	808.00
Z508-4NH	668.00
Z508-4NH-P-Y	973.00
Z508-4NH-Y	808.00
ZN508-4NH-Y	1,355.00
Z508-4NL	668.00
Z508-4NL-DG-Y	1,002.00
Z508-4NL-P	833.00
Z508-4NL-Y	808.00
Z508-6NH	798.00

Supplied By:



877-903-7246

www.commercialplumbingsupply.com

*Regularly furnished unless otherwise specified.

Items designated as Best Sellers are most specified and are generally in stock for shipment.

⌚ This symbol denotes a product that is engineered to reduce installation and rework time.

For additional product information, please visit www.zurn.com